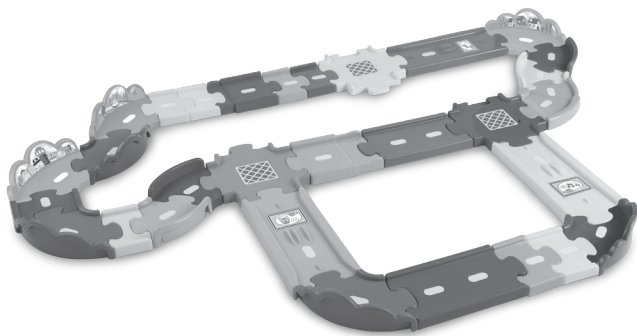


vtech®

User's Manual



Deluxe Track Set



© 2013 VTech
Printed in China

91-002851-012

Dear Parent,

Welcome to the world of **Go! Go! Smart Wheels®**! We're excited you've decided to ride along with us and explore all that **Go! Go! Smart Wheels®** has to offer. These toys have been designed to give your child a thrilling learning experience with hours and hours of fun as well.

Go! Go! Smart Wheels® features vehicles that interact with your child by lighting up, singing and talking, while teaching your child letters and vehicle names (each sold separately). There are other surprises in store, too! With our innovative **SmartPoint™** technology, available exclusively on **Go! Go! Smart Wheels®** playsets (each sold separately), your child will smile as they hear **SmartPoint™** vehicles respond to each unique **SmartPoint™** location with singing, sound effects and fun phrases.

Our **Go! Go! Smart Wheels®** playsets also feature buttons, gears and other mechanical features to encourage the development of your child's fine motor skills. Many of the playsets also have tracks that can be arranged in endless ways, stimulating your child's creativity. In addition, many of the **Go! Go! Smart Wheels®** playsets connect to other playsets in the collection, so there's no end to what your child can do!

With **Go! Go! Smart Wheels®**, it's playtime with miles of learning!

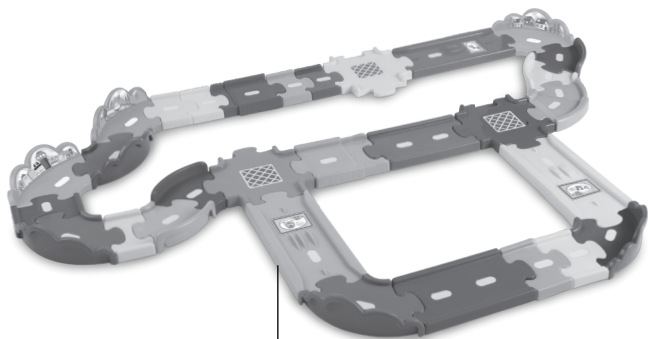
Sincerely,
Your friends at **VTech®**

To learn more about **VTech®** toys, visit www.vtechkids.com

INTRODUCTION

Thank you for purchasing the **VTech® Go! Go! Smart Wheels® Deluxe Track Set** learning toy!

The possibilities are endless with the **Go! Go! Smart Wheels® Deluxe Track Set** by **VTech®!** Help your child to explore their creativity and discover countless track configurations. With 30 interchangeable track pieces, your child can create an exciting race track or use them to connect to other playsets. Each piece is designed for little hands so your child will develop their fine motor skills while connecting the tracks and playsets to create their own **Go! Go! Smart Wheels®** world. It's playtime with miles of learning!



3 **SmartPoint™** locations

INCLUDED IN THIS PACKAGE

- One VTech® Go! Go! Smart Wheels® Deluxe Track Set learning toy
- One user's manual
- One sheet of labels

WARNING: All packing materials, such as tape, plastic sheets, packaging locks and tags are not part of this toy, and should be discarded for your child's safety.

ATTENTION: Pour la sécurité de votre enfant, débarrassez-vous de tous les produits d'emballage tels que rubans adhésifs, feuilles de plastique, attaches et étiquettes. Ils ne font pas partie du jouet.

NOTE: Please keep this user's manual as it contains important information.

Includes 30 track pieces of 12 different types:



3 SmartPoint™ tracks*



2 straight tracks



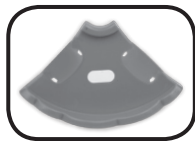
1 female connector track



1 male connector track



6 male/female connector tracks



4 90-degree tracks, female

Included In This Package

4



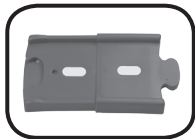
3 90-degree tracks, male



2 60-degree tracks, female



2 60-degree tracks, male



2 adjustable straight tracks



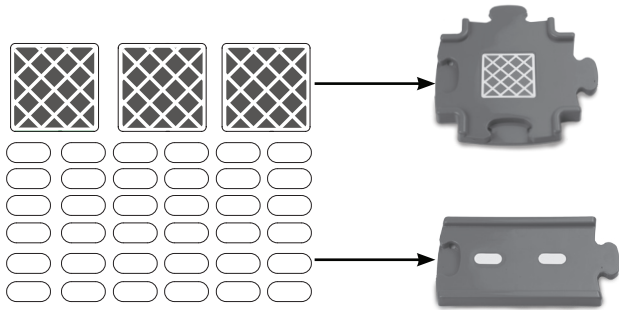
1 adjustable curve tracks



3 cross tracks

* **SmartPoint™ vehicles respond to SmartPoint™ locations with different phrases, music or fun sound effects. Each sold separately.**

Please adhere the labels to the tracks securely as indicted below:



Included In This Package



TROUBLESHOOTING

If you encounter any issues or problems with this product, please call our Consumer Services Department at 1-800-521-2010 in the U.S. or 1-877-352-8697 in Canada, and a service representative will be happy to help you.

For information on this product's warranty, please call **VTech®** at 1-800-521-2010 in the U.S. or 1-877-352-8697 in Canada.

IMPORTANT NOTE:

Creating and developing **Infant Learning** products is accompanied by a responsibility that we at **VTech®** take very seriously. We make every effort to ensure the accuracy of the information, which forms the value of our products. However, errors sometimes can occur. It is important for you to know that we stand behind our products and encourage you to call our Consumer Services Department at 1-800-521-2010 in the U.S. or 1-877-352-8697 in Canada, with any problems and/or suggestions that you might have. A service representative will be happy to help you.